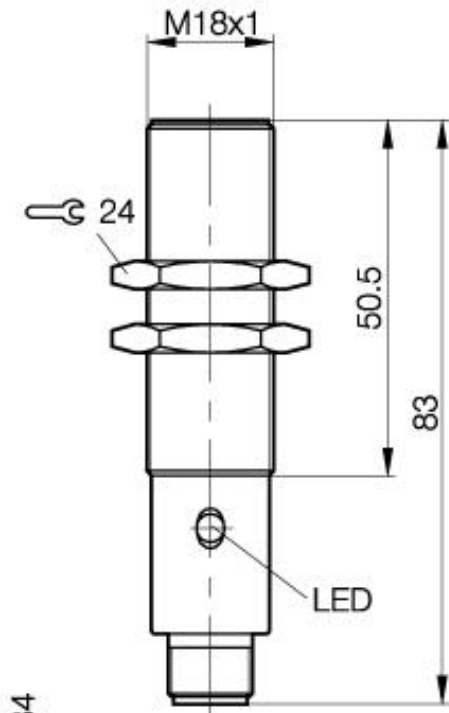


Inductive Sensors
BES 516-538-S 4-H
M18x1 x 83
normally-open
Sn=5mm
shielded



PX0034

Common Data

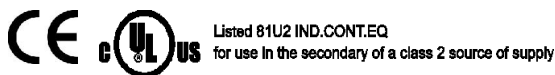
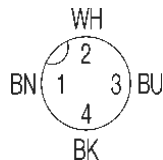
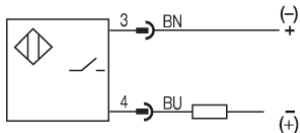
| | |
|--------------------------------|-------------|
| Mounting in steel | shielded |
| Rated operating distance Sn | 5mm |
| Assured operating distance Sa | 0...4.0mm |
| Repeatability R | ≤ 5% |
| Hysteresis | ≤ 20% |
| Function indication | yes |
| Ambient temperature range | -25...+70°C |
| Pollution Degree | 3 |
| Time delay before availability | ≤ 20ms |

Mechanical Data

| | |
|---|-----------------------|
| Measurements BxHxT or DxT | M18x1 x 83mm |
| Housing material | Nickel plated brass |
| Material of sensing face | PA 12 |
| Degree of protection | IP68 acc. BWN Pr 20IP |
| Connection | Connector S4 (M12) |
| Shock: Halfsinus, 30 gn, 11ms | |
| Vibration: 55 Hz, 1mm Amplitude, 3 x 30 Minutes | |

Electrical Data

| | |
|-------------------------------------|---------------|
| Current type | DC |
| Wiring | 2-Wire |
| switching function | normally-open |
| Output signal | non-polarized |
| Rated operational voltage | 24 DCV |
| Rated operational current | 200mA |
| Supply voltage | 10...55 DCV |
| Ripple | ≤ 15% |
| max. switching frequency | 250Hz |
| Minimum operational current | 5mA |
| No-load supply current | -/-mA |
| Off-state current | ≤ 500µA |
| Voltage drop | ≤ 5.0/-V |
| Short circuit protection | yes |
| Protected against polarity reversal | yes |



Utilization categories DC 13
 Insulation class II

Datasheet number:

Definitions see general catalog.
 If not otherwise noted, ratings according to IEC 60947-5-2 (DIN EN60947-5-2)

Balluff GmbH
 Schurwaldstrasse 9
 73765 Neuhausen a.d.F.
 Phone (07158) 173-0 Fax (07158) 5010

Datenblatt by CD-ROM - 04/2007

